

## UV AM 24 Technical Data

GENERAL INFORMATION	
Max flow rate	24 m3/h
UVC transmittance	98%- 1 cm
UVC dose	400 J/m <sup>2</sup>
Water Temperature range	5-50° C
Total consumption	222 W
Mounting	Horizontal or vertical

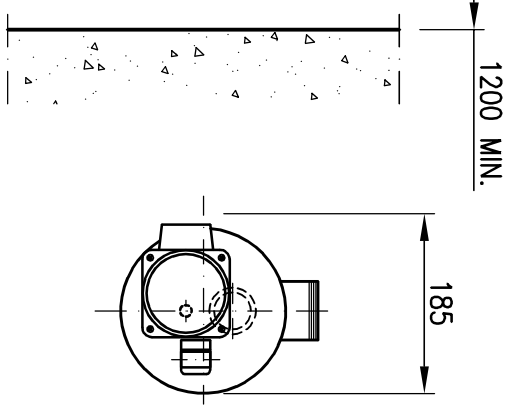
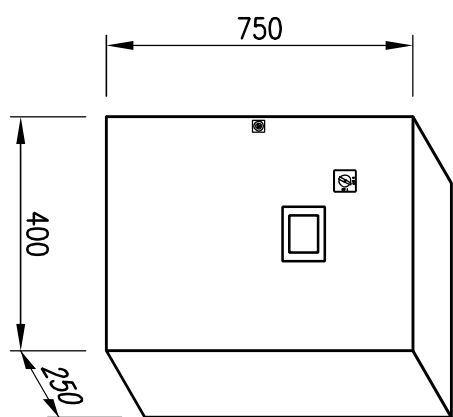
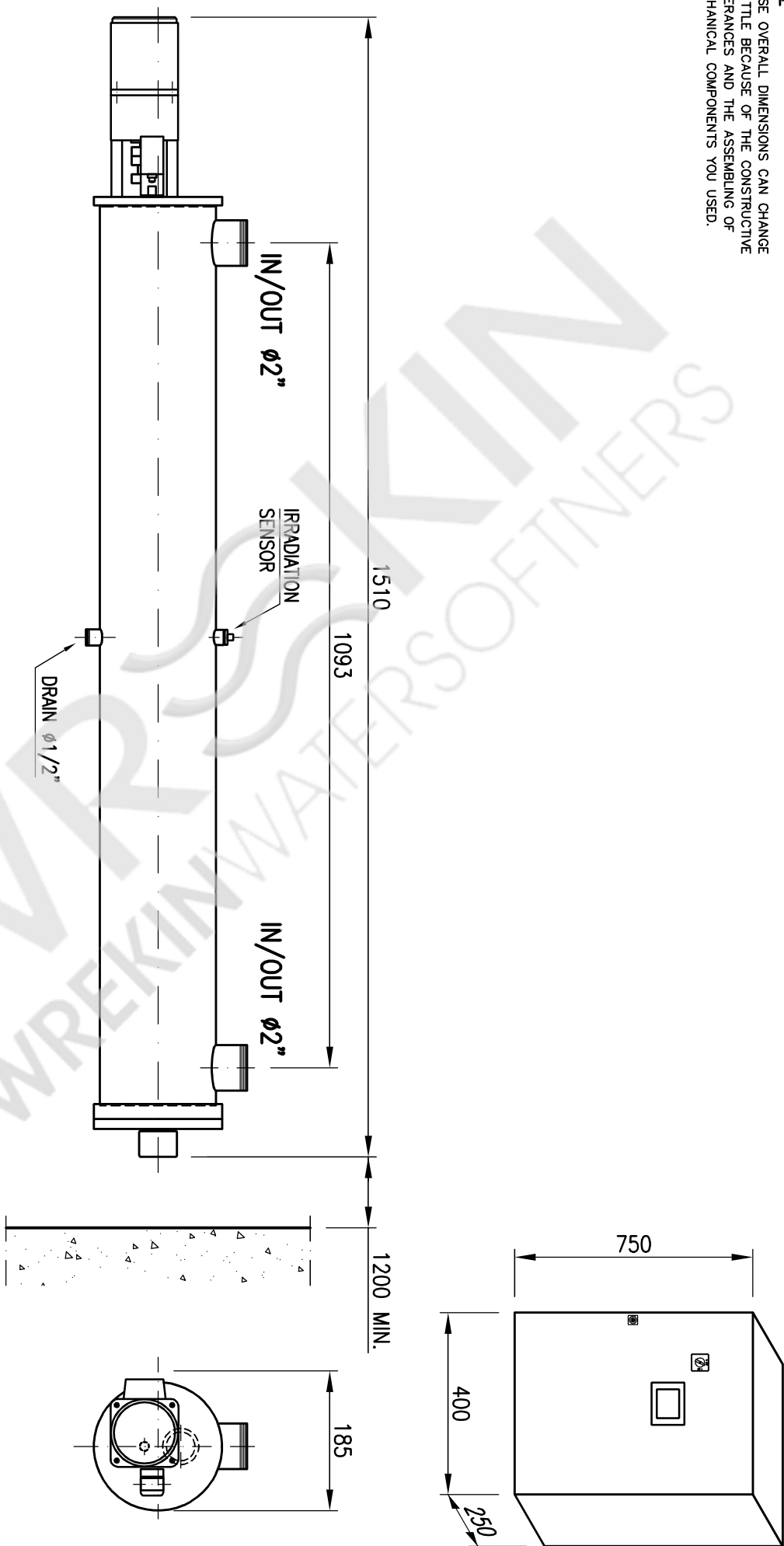
UV REACTOR	
Material	Stainless Steel 304 (optional 316L)
Connections	Thread 2" M
Drain/Air Valve	1/8" ½" M thread
Total Volume	21,5 l
Total weight	13 kg
Max working pressure	10 bars g
Protection class	IP 65
Shape	L
Flow direction	See drawing
Cleaning system	Optional
Quartz sleeve cleaning system	
Manual	NO
Automatic	Available (RA version - U shape – Horizontal configuration)

UV LAMP	
Number	1
Lifespan	12000 hr
Lamp power	200 W
Type	LO amalgam lamp type 028119


UV SENSOR (ONLY on PLUS MODELS)	
Type	UVC selective sensor Mod. UV737
Sensor Cable	Shielded cable 4 meters
Sensor holder material	Teflon

CONTROL PANEL		TC PLUS
Material and colour	Painted Steel – RAL 7035	
Protection class	IP 54	
Ambient temperature range	5 – 45 °C	
Power supply	230 V - 50/60 Hz	
Lamp cable length	4 m	
Monitor display	SITA Touch-Screen (65000 colours)	
Multi language display	Yes (ITA-ENG-FRA-SPA)	
Chamber temperature measurement	Yes (°C)	
UV irradiance measurement	Yes (% or W/m <sup>2</sup> )	
Panel temperature measurement	Yes (°C)	
Flow-meter connection	Yes (flow meter not included)	
UVT reader connection	Yes (UVT sensor not included)	
UV dose calculation	Optional (only with external flow meter)	
Hour meters	For total system life – Resettable for lamp life control	
Free contact alarms (N/O)	Yes (max 1.3 A)	
General alarm	Yes (settable contact working)	
System working signal	Yes	
High temperature alarm	Yes for panel and reactor (shut off for high temperature)	
24 V output	Yes	
Low irradiance alarm	Yes (settable value)	
Lamps off alarm	Yes	
Lamps control on/off	Yes	
4/20 mA output	Yes for irradiance and temperature	
Remote ON/OFF	Yes (settable contact working)	
ON/OFF timer	Yes	
Datalog – Events	Yes	
Lamp power regulation	Optional (manual or automatic: dose or flow pacing)	
Communication ports (protocols)	CAN, Ethernet, USB, Seriale (Modbus, TCP/IP, CANopen)	
Remote access	with specific App or WebGate	

**NOTE:**  
 - THESE OVERALL DIMENSIONS CAN CHANGE  
 A LITTLE BECAUSE OF THE CONSTRUCTIVE  
 TOLERANCES AND THE ASSEMBLING OF  
 MECHANICAL COMPONENTS YOU USED.



REV.	DESCRIPTION	DATA	DISGNATO	APPROVATO
A	FIRST ISSUE	30/10/14	SCHENONE	MAZZONE


 S.r.l. Società Italiana Trattamento Acque  
 Via Rivarolo, 61 - 16161 Genova Italy - Tel. 0039-10-740648 / Fax 0039-10-7408851 email: info@sifoa.com

TITOLO  
**UV-C DISINFECTION  
 UV AM-24 RACK TC RA MODEL  
 LAY-OUT**  
 CLIENTE /

CODICE	
F.to	A4
Foglio	01
di	01